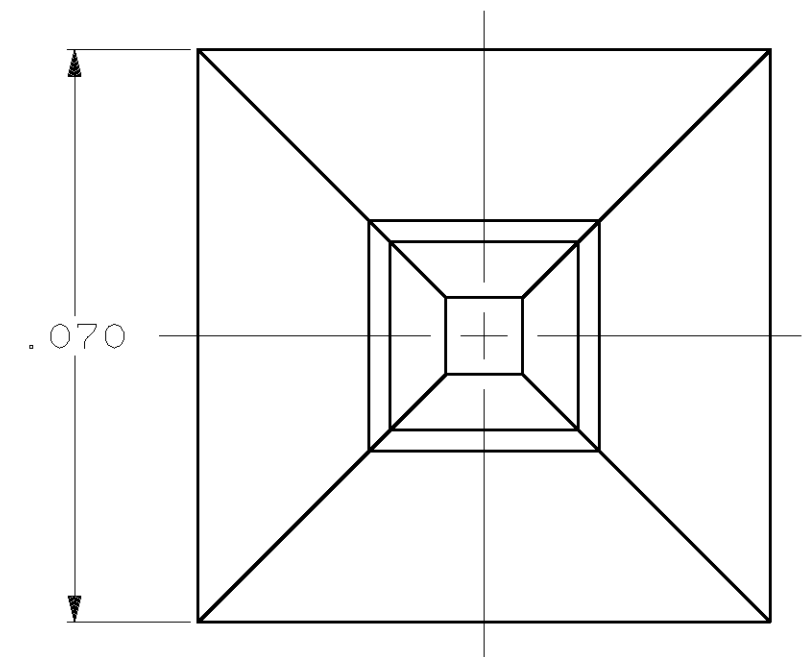
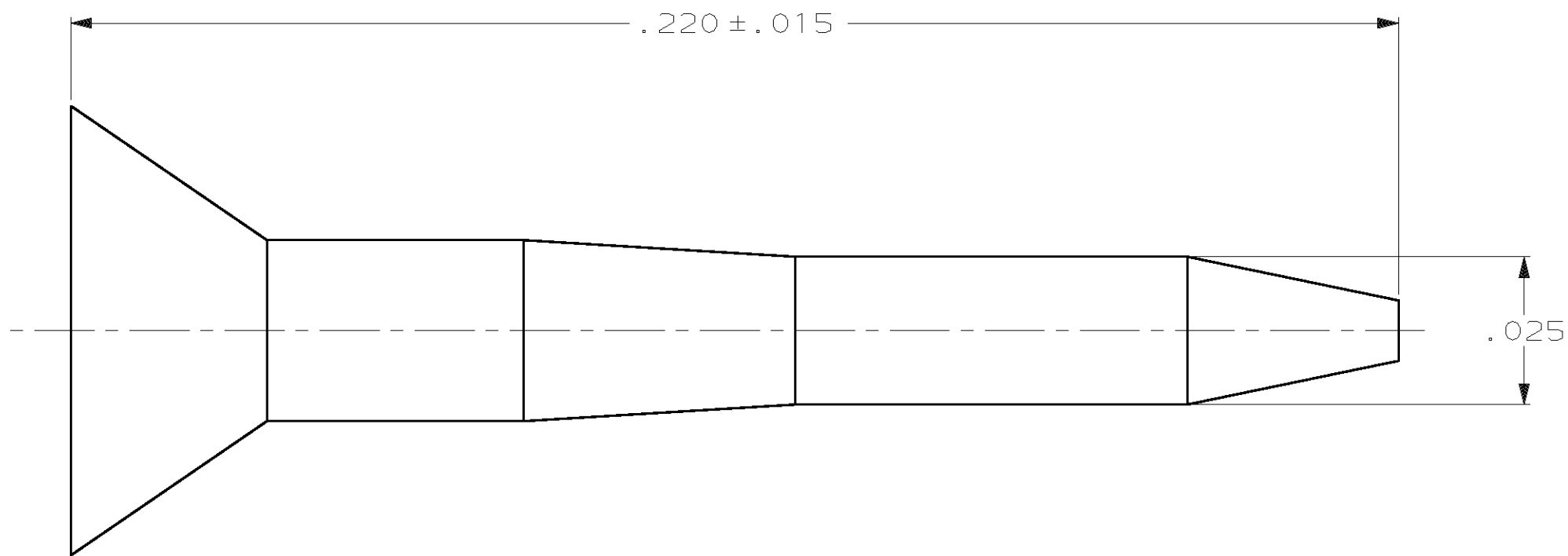


THIS DRAWING IS UNPUBLISHED. RELEASED FOR PUBLICATION, 19 .
 © COPYRIGHT 19 BY AMP INCORPORATED. ALL INTERNATIONAL RIGHTS RESERVED.

LOC	DIST	P	F	ZONE	LTR	REVISIONS	DATE	APPD
AR	35				D	REVISED PER EC 051A-0020-99	21 JUL 99	JG



1 FLAME RETARDANT THERMOPLASTIC, 94V-0 RATED, BLACK.

499712-1
 PART NO

DO NOT SCALE PRINT. UNLESS SPECIFIED DIMENSIONS IN INCHES TOLERANCES ON: 2 PLC DEC ± - 3 PLC DEC ± .005 ANGLES ± - MATERIAL 1 FINISH -	DR 2-16-90 J GALLUCCI B6	AMP AMP INCORPORATED Harrisburg, Pa. 17105	
	CHK 3-19-90 H.MOLL		
	APPD 3-20-90 S.600D	NAME	
	APPD 3-20-90 D.HOFFMAN	KEYING PLUG, NOVO, AMP-LATCH™	
PRODUCT SPEC -	SIZE B	FSCM NO 00779	DRAWING NO 499712
APPLICATION SPEC -	SCALE 40:1	SHEET 1 OF 1	REV D
WEIGHT -			

CUSTOMER DRAWING